

Products

- CCTV
- Access Control
- ANPR
- Visitor Management
- Panic Alarm Systems
- Interview Recording

Markets

- Marine
- Oil & Gas
- Law Enforcement
- Parking
- Security



Self-Contained ANPR Camera - 1080P

Commercial
ANPR

BSOP-2Z11-I66

The on-board ANPR software creates a complete ANPR system on this stand-alone camera - suitable for access control, speed monitoring and vehicle counting.

The advanced ANPR engine can be embedded onto a range of high performance camera providing real-time recognition of vehicle registration plates and meta-data.

The all-in-one system decreases network bandwidth and hardware costs whilst increasing reliability and resilience.

The stand-alone cameras give Black/White list functionality, direction of travel, country, plate type, time, date, GPS position, vehicle make, model, colour and vehicle type classification.



Features

- High Accuracy: Recognition rate above 99%
- High Speed Operation: Up to 200km/h
- On-board Databases: Basic white/blacklists are embedded in the camera and available through web management, CSV import and via API
- Complex Scenario Support: Directional filtering, Regions of interest and direct I/O support enable filtering and actions using polygons, inclusions, exclusions and direction.
- Plugins: Expandable, modular options allow the system to grow including ADR (dangerous goods), speed, make, model, colour and classification of vehicles.

Products

- CCTV
- Access Control
- ANPR
- Visitor Management
- Panic Alarm Systems
- Interview Recording

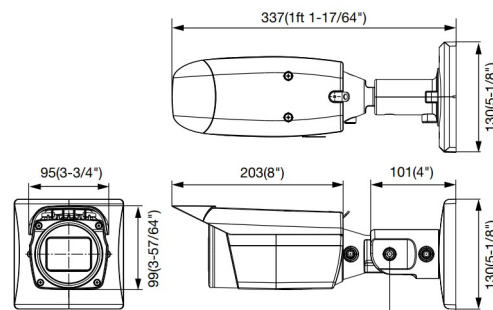
Markets

- Marine
- Oil & Gas
- Law Enforcement
- Parking
- Security

Technical Specifications

BSOP-2Z11-I66

Resolution	1080P 1/3 MOS
Sensitivity	.001lx col; .00005lx mono; 0lx IR
Optical Lens	9-21mm HFOV 14 - 34 degrees
IR Illumination range	40m
On-board storage (option)	SDHC/SDXC card up to 256GB
Image features	BLC, HLC, DNR, DEFOG, rotation
Privacy masking	Yes
Analytics	VMD
Video compression	H265/264/JPEG
Alarms	1 in; 1 out
Audio compression	G726/G711/AAC-LC
Ethernet	RJ45
Power supply	12vdc/PoE 802.3at
Power consumption	9W
Impact protection	IK10
Ingress protection	IP66
Material	Aluminium
Operating temp	-40 to +50 deg C
Relative humidity	10 to 100% (non-condensing)
Weight (kg)	1.7KG
Dimensions - internal (mm)	95 × 99 × 337
Mounting options	Wall hanging, fixed bracket , pedestal base



For more information on any of our products or services please contact:

Paragon Security Limited

Unit 14, Bentalls Business Park, Colchester Road, Maldon, Essex CM9 4GD UK

+44 (0)1245 210914

info@paragon-security.com

paragon-security.com